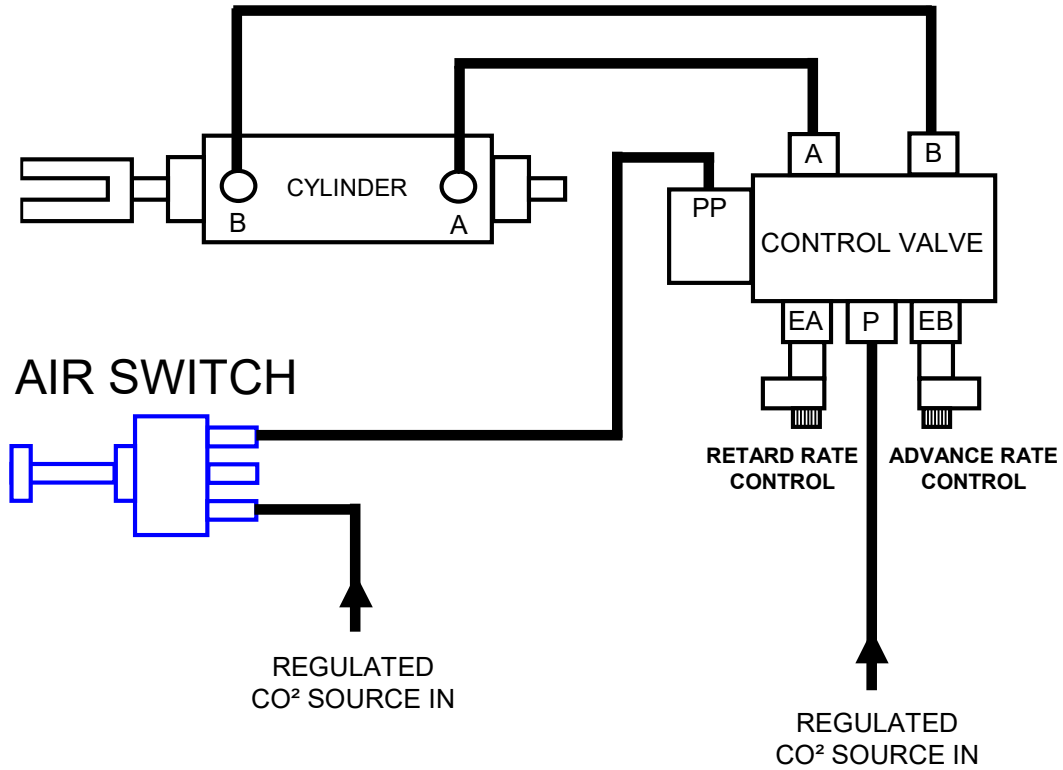




# FIE Magneto Mechanism Pneumatic activation



The control valve pilot port is the interface from an air switch. When pressure is supplied to the pilot port, channel B is activated and channel A is exhausted. When pressure is absent from the pilot port, channel B is exhausted and A is pressurized. The rate of change is controlled by the exhaust port rate control valves.

### Control Valve Ports

- A - Channel A OUT
- B - Channel B OUT
- P - CO2 Pressure source IN
- EA - Exhaust A
- EB - Exhaust B
- PP - Pilot Port