



FUELINJECTIONENT.COM

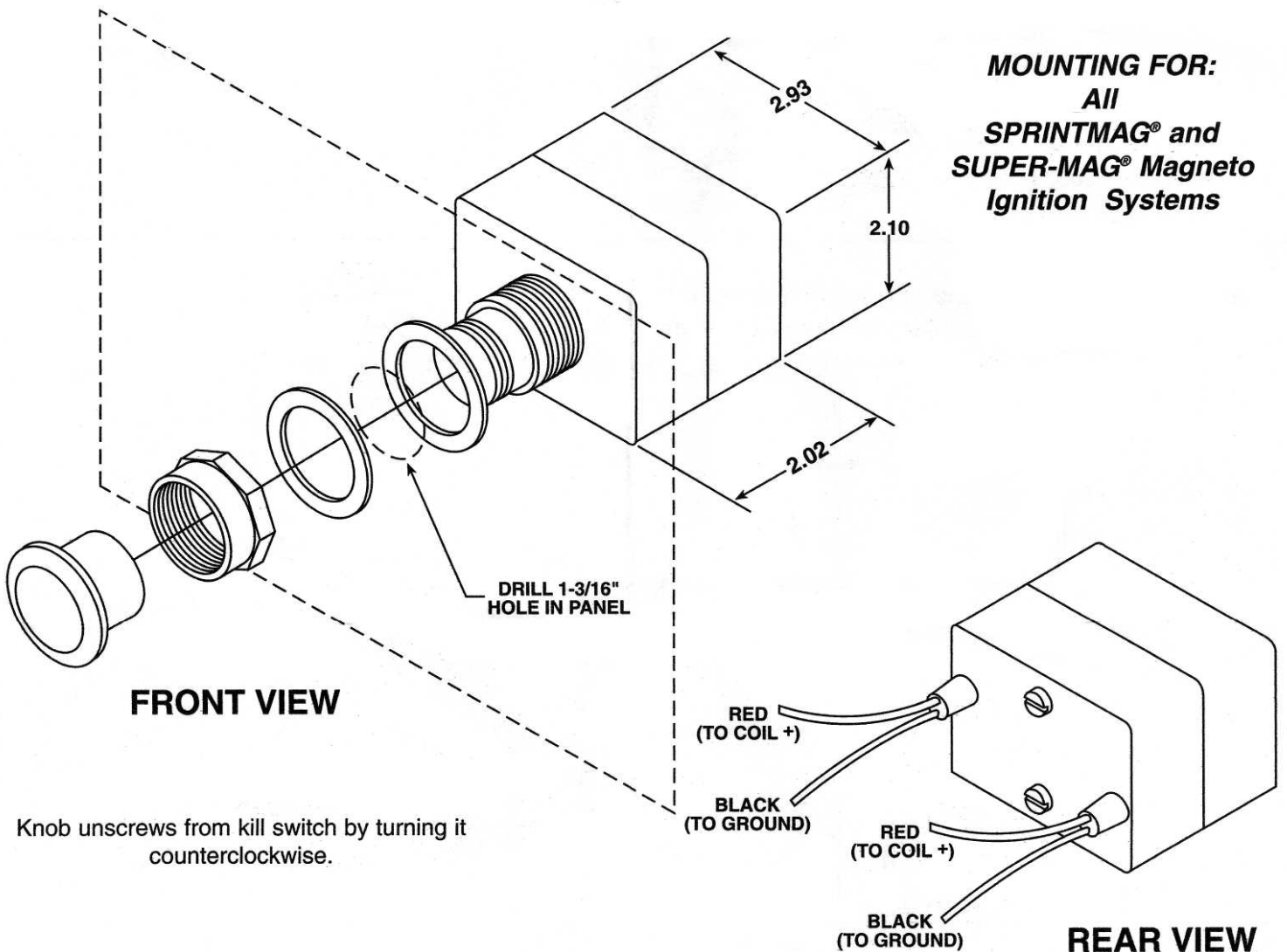
MAGNETO KILL SWITCH

MOUNTING INSTRUCTIONS

Part No. 26072: Single Magneto Ignitions

Part No. 26073: Dual Magneto Ignitions

Part No. 26076: Replacement Contact Block



To kill the magneto ignition system, push the knob in. The knob locks in place. Turn the knob clockwise to release the lock. The internal contact area is sealed to prevent corrosion and the contact block is replaceable.